

## DMT

## Dehumidifier portable

Dehumidifying capacity 0,40 l/h ÷ 1,00 l/h



- **New R290 natural refrigerant gas.**
- **Compact, manoeuvrable and silent.**
- **Modern design to blend with all furnishing styles.**
- **Removes up to 24 litres of humidity in 24 hours.**



### DESCRIPTION

The portable dehumidifiers of the DMT range are ideal for dehumidifying domestic rooms, cellars, and places where clothes are hung out to dry, reducing the humidity to optimum levels to avoid any risk of physical discomfort and damage to the building due to the formation of mould.

They fit in with any type of furnishings thanks to their compact, elegant design, and even have wheels so they can easily be moved from one room to another and installed where needed (plug & play).

Equipped with a specific tray for collecting the humidity removed from the room during operation.

The on-board control panel with led display and indicator lights, allows you to set the required temperature set-point easily and accurately.

### FEATURES

#### Operation

The dehumidifier takes in the excess humidity via the recovery grille and releases humidity-free air, thereby ensuring a healthier, more comfortable environment.

In addition, its functions enable easy control of the humidity level, keeping it constant over time.

### Smart APP Ewpe

DMT160 model is equipped with the Wi-Fi module; using this module and the app for iOS and Android devices (available free on Apple Store and Google Play, the dehumidifier can be directly controlled from a distance on your smartphone or tablet and is possible via Cloud, using a wireless router connected to the Internet.



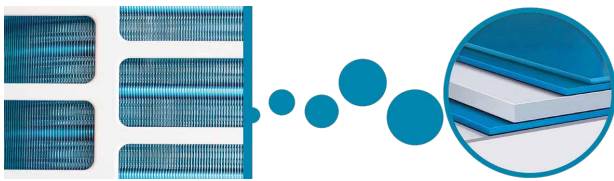
### ACCESSORIES AS STANDARD

#### DMT160-241

- Swivel wheels
- Power supply + Schuko plug
- Condensate discharge coupling

### Special blue fin coil

Unlike normal batteries, this special blue epoxy coating is able to protect the heat exchanger against rust and corrosion, in areas where the air has a high salt content.



### DMT160

- New R290 natural refrigerant gas.
- On-board control panel with led display and indicator lights.
- Visual display of the humidity setting and that read in the room.
- Particularly quiet operation.
- Regenerable air filter easy to remove and clean.
- Alarm signal for filter cleaning.
- Alarm signal for condensate discharge tray full or badly positioned.
- Possibility to continuously drain off the condensate without using the tray supplied.
- Auto switch-off function: the unit stops operating when the condensate discharge tray is full or badly positioned, or when it has reached the defined work set-point.
- Auto-restart function.
- Timer for programming switch-off and switch-on.
- WiFi function

### DMT241

- New R290 natural refrigerant gas.
- On-board control panel with led display and indicator lights.
- Visual display of the humidity setting and that read in the room.
- Particularly quiet operation.
- Regenerable air filter easy to remove and clean.
- Alarm signal for filter cleaning.
- Alarm signal for condensate discharge tray full or badly positioned.
- Possibility to continuously drain off the condensate without using the tray supplied.
- Auto switch-off function: the unit stops operating when the condensate discharge tray is full or badly positioned, or when it has reached the defined work set-point.
- Auto-restart function.
- Timer for programming switch-off and switch-on.
- Auto function: automatic drying mode. The unit automatically sets the most comfortable humidity.

## PERFORMANCE SPECIFICATIONS

		DMT160	DMT241
<b>Nominal performance (1)</b>			
Dehumidifying capacity	l/h	0,66	1,00
Input power	W	370	410
<b>Nominal performance (Standard EN 810) (2)</b>			
Dehumidifying capacity	l/h	0,40	0,51
Input power	W	315	355
Input current	A	1,7	1,9
<b>Electric data</b>			
Rated power input (3)	W	510	530
Rated current input (3)	A	3,0	2,7
<b>Compressor</b>			
Type	type		Reciprocating
Refrigerant	type		R290
Refrigerant charge	g	65	70
Potential global heating			3
Equivalent CO <sub>2</sub>	tCO <sub>2</sub> eq	0,20	0,20
<b>Fan</b>			
Type	type		Centrifugal
<b>Air flow rate</b>			
Maximum	m <sup>3</sup> /h	170	170
Minimum	m <sup>3</sup> /h	145	145
<b>Sound power</b>			
Maximum	dB(A)	53,0	51,0
Minimum	dB(A)	51,0	49,0
<b>Sound pressure (4)</b>			
Maximum	dB(A)	39,0	41,0
Minimum	dB(A)	37,0	39,0
<b>Condensate drainage basin</b>			
Capacity	l	2,6/3,0	2,6/3,0
<b>Power supply cable</b>			
Type of power supply cable	Type		Schuko
<b>Power supply</b>			
Power supply			220-240V ~ 50Hz

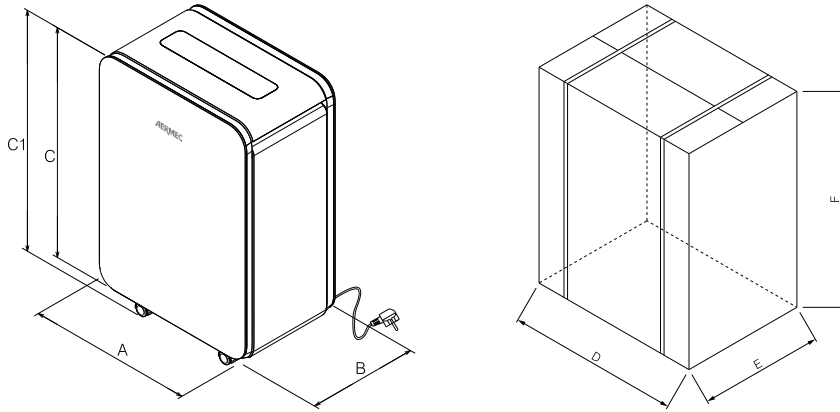
(1) Indoor air temperature 30°C D.B. / 27°C W.B.

(2) Indoor air temperature 27°C b.s./21°C b.u. (Tested according to EN 810)

(3) Tested according to EN 60335.

(4) Sound pressure measured according to EN 12102 standard, in semi anechoic chamber at a distance of 1 m from the source.

## DIMENSIONS AND WEIGHTS



### Dimensions and weights

		DMT160	DMT241
<b>Dimensions and weights</b>			
A	mm	351	351
B	mm	240	240
C	mm	489	489
C1	mm	522	522
D	mm	392	392
E	mm	286	286
F	mm	525	525
Net weight	kg	15,5	15,0
Weight for transport	kg	16,5	16,0

Aermec reserves the right to make any modifications deemed necessary.  
All data is subject to change without notice. Aermec does not assume responsibility or liability for errors or omissions.

**Aermec S.p.A.**  
Via Roma, 996 - 37040 Bevilacqua (VR) - Italia  
Tel. 0442633111 - Telefax 044293577  
[www.aermec.com](http://www.aermec.com)