

FCY

Fan coil unit for ducted installations



- **Plug and play installation only in horizontal**
- **Reduced dimensions**
- **Inspectable ventilation group**



DESCRIPTION

Monobloc duct type fan coils for heating and/or cooling small and medium-sized environments for civil and commercial use.

They were designed and built for flush horizontal installation in any type of 2/4 pipe system and in combination with any heat generator, also at low temperatures.

Thanks to the availability of various versions and configurations, with a standard or oversized coil, it is easy to select the optimal solution for any requirement.

FEATURES

Ventilation group

Centrifugal fans in anti-static plastic material with aerofoil profile designed to achieve high airflows and pressures whilst at the same time producing low noise.

Their characteristics permit energy savings compared to conventional fans. They are statically and dynamically balanced and directly coupled to the motor shaft.

The electric motor is single-phase multi-speed (3 selectable), mounted on anti-vibration supports and with a permanently inserted capacitor.

The plastic augers are extractable for easy and efficient cleaning.

Heat exchanger coil

With copper pipes and aluminium louvers, the standard or oversized heat exchanger and the possible secondary heat exchanger have female gas water connections on the left side and the manifolds have air vents.

- *Reversibility of the water connections during installation only for units with a main standard or oversized coil or standard with BV accessory. Not reversible in all other configurations.*

Air filter

Where present, **the Coarse 25% Class according to ISO16890 (G2 according to EN779)** air filter, which is easy to remove and clean.

Condensate drip

In addition to the internal tray, all units are equipped with a **configurable external condensate collection tray** during installation.

Control

The unit's electrical box is reversible, with the option of mounting it also on the same side of the water connections.

The standard equipment includes a single 10-pin control board as an interface for the electrical connections, the preparation for the VMF series thermostat fastener and the included supply of a DIN guide for the installation of a third-party control.

GUIDE TO SELECTING THE POSSIBLE CONFIGURATIONS

Field	Description
1,2,3	FCY
4	Size 2, 3, 4, 5, 6, 7
5	main heat exchanger (1)
0	Standard
5	Oversized
6	Secondary heat exchanger
0	Without coil
1	Standard (2)
7	Version
C	Compact
U	Universal (3)
8	Connections
D	Water connections and electrical panel on the right
G	Water connections and electrical panel on the left
L	Hydraulic connections on the left and electric connections on the opposite side
R	Hydraulic connections on the right and electric connections on the opposite side
9	Options
H	Electric heater (500W) (4)
P	With the photocatalytic device (4)
X	No present
10	Filter
F	With air filter (5)
G	On the GKY accessory (6)
X	No present

(1) Reversibility of the water connections during installation only for units with a main standard or oversized coil. They are not reversible for units with a secondary coil.

(2) Only for the standard main coil

(3) Only for sizes from 2 to 5

(4) Options "P" and "H" are available only in units for 2-pipe systems.

(5) The DFA kit must mandatorily be installed on the units The DFA kit must mandatorily be installed on the units in option 'F'.

(6) Only for sizes 2 and 3, without secondary heat exchanger (0), in U version, D connections, without RX or photocatalytic device (X).

SIZE AVAILABLE FOR VERSION

C version

Size	200	201	250	300	301	350	400	401	450	500	501	550	600	601	650	700	701	750
Versions produced (by size)																		
Versions available (by size)

Version U

Size	200	201	250	300	301	350	400	401	450	500	501	550
Versions produced (by size)												
Versions available (by size)

INSTALLATION VERSIONS AND EXAMPLES

C: Compact version.

Compact structure with opposed intake and delivery lines, for an "H"-shaped configuration.

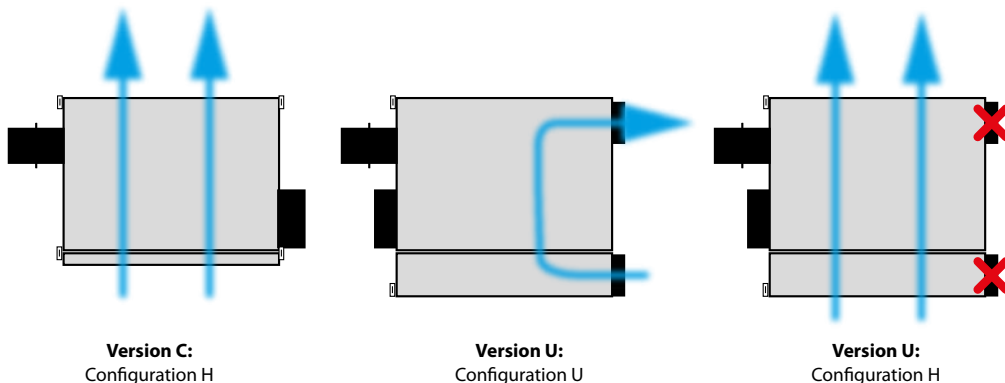
The unit is provided without openings and without flanges, which can be purchased separately as an accessory.

The delivery and intake part of the structure is designed to house flanges of Ø 200 mm (or Ø 160 mm) and one of the intake flanges can be replaced by a Ø 125 or 100 mm flange for the intake of outside air.

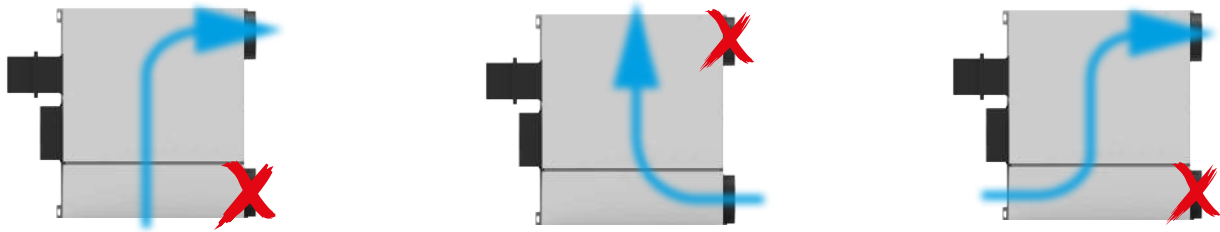
On the side, it can house Ø 125 or 100 mm flanges for the intake of outside air for delivery.

U: Universal version.

Structure for the "U" configuration with intake and delivery on the same side, opposite of the side with the water connections and the electrical box. The delivery and intake part of the structure is designed to house flanges of Ø 200 mm (or Ø 160 mm) and one of the intake or delivery flanges can be replaced by a Ø 125 or 100 mm flange for the intake of outside air. This version is called universal because it guarantees the possible installations permitted by the C version and adds additional possibilities.



POSSIBLE ALTERNATIVE CONFIGURATIONS OF THE U VERSION

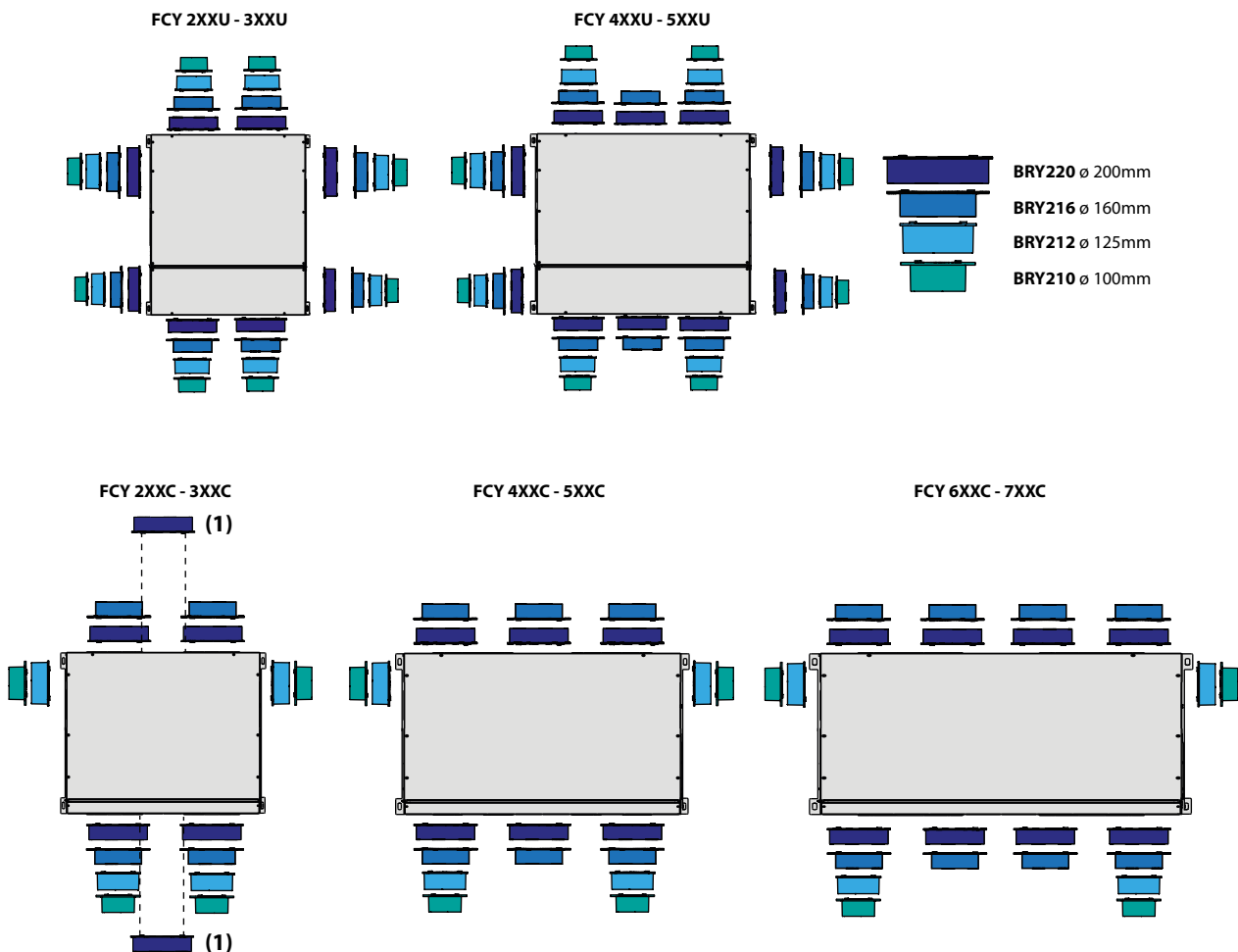


The performance data for the configurations shown here are equal to those for the U version in the U configuration.

POSSIBLE POSITIONS FOR THE INSTALLATION OF THE BRY ACCESSORIES

In every unit it is possible to use a maximum of one flange accessory for the intake of outside air (BRY210 or BRY212). The number and position of the preparations for the installation of the BRY accessories varies based on the unit size and version.

The standard **C version unit is supplied without flanges**, which can be purchased separately as an accessory.



1 There is a central preparation for the installation of an accessory BRY220 as an alternative to using the two more external preparations.

For the C version: it is necessary to use a number of recirculation air preparations at least equal to the maximum number possible for the size selected less 1.

Example: for FCY6xxC it is necessary to open at least 3 flange preparations for intake recirculation air and 3 flange preparations for delivery recirculation air (= maximum number - 1).

If the number of intake/delivery flanges used is less than the maximum possible for the considered size, their diameter must be 200 mm (BRY220).

For more information about the possible configurations for both versions, refer to the unit's selection software.

ACCESSORIES

Control panels

AER503IR: Flush-mounting thermostat with backlit display, capacitive keypad and infrared receiver, for controlling both brushless fan coils and those with an asynchronous motor. In 2-pipe systems, the thermostat can control standard fan coils or those equipped with an electric heater, with air purifying devices (Cold Plasma and germicidal lamp), with radiant plate or with FCZ-D twin delivery (Dualjet). In addition, it can control systems with radiant panels or mixed (fan coil and radiant floor) systems. Being equipped with an infrared receiver, it can, in turn, be controlled by the VMF-IR remote control.

SA5: air probe kit (L = 15 m) with probe-locking cable grommet.

SIT3: Thermostat Interface Card allowing the creation of a network of fan coils (max. 10) commanded by a central control panel (selector or thermostat). Commands the 3 fan speeds and must be installed on each fan coil within the network; receives the commands from the selector or the SIT5 card. In case you decide to install Aermec thermostats and current absorbed by the unit exceeds 0.7 A, you're obliged to include SIT3 accessory.

SIT5: Thermostat Interface Card allowing the creation of a network of fan coils (max. 10) commanded by a central control panel. Commands the 3 fan speeds and up to 2 valves (four pipe systems); sends the thermostat's commands to the fan coil network.

SW3: Water probe (L = 2.5 m) for controlling the minimum and maximum and to allow automatic seasonal switching for electronic thermostats fitted with water side changeover.

SW5: water probe kit (L = 15m) with probe-holder connection point, fixing clip and probe-holder from heat exchanger.

TX: Wall-mounting thermostat for controlling either brushless fan coils or those with asynchronous motors for 2/4 pipe. In 2-pipe systems, the thermostat can control standard fan coils or those equipped with an electric heater, with air purifying devices, radiant plate or FCZ-D twin delivery (Dualjet).

AerSuite

The AerSuite application is used to remotely control the DI24 user interface, with VMF-E19/VMF-E19I thermostats, using Smart Devices with iOS and Android operating systems.

This is an application for Smartphones and Tablets with which the user can access and control the system operation remotely.

For more information about the use of the application and the available functions, refer to the respective documentation on the website.



VMF system

DI24: Flush-mounted interface (503 box) with 2.4" touch screen display to be combined with VMF-E19, VMF-E19I accessories. It allows you to regulate and monitor the temperature inside rooms precisely and on time; in addition to accessing and interacting with your system's operating information, parameters and alarms, it allows you to set time slots. Thanks to its Wi-Fi connection, DI24 in combination with the AerSuite APP (available for Android and iOS) can also be remotely controlled. All programming and most functions are done in a simple and intuitive way using the APP. To allow for customization of the interface so that it seamlessly integrates with the style of any home, DI24 is compatible with switch plates from major brands available on the market. For more information, please refer to our documentation. However, a switch plate with its graphite gray support, DI24CP, is also available as a separate accessory in our catalog.

VMF-E19Y: Thermostat to be fixed on the side of the fan coil, fitted as standard with an air and water probe. Depending on the option chosen (P - X - H), VMF-E19Y must be completed with the mandatory electrical completion unit accessory (VMF-YCC, VMF-YCCH or VMF-YCCK / VMF-YICCK).

VMF-E3: Wall mounted user interface, to be combined with accessories VMF-E19, VMF-E19I, with grids GLF_N/M and GLL_N, can be controlled with VMF-IR control.

VMF-E4DX: Wall-mounted user interface. Grey front panel PANTONE 425C (METAL).

VMF-E4X: Wall-mounted user interface. Light grey front panel PANTONE COOL GRAY 1C.

VMF-IR: User interface compatible with the AER503IR, VMF-E3 thermostat and with all the grids of cassettes equipped with the infrared receiver compatible with the VMF system.

VMF-SW: Water probe (L = 2.5m) used if required in place of the standard unit supplied with the VMF-E19 and VMF-E19I thermostats for mounting it upstream of the valve.

VMF-SW1: Additional water probe (L = 2.5m) to be used if required for 4-pipe systems with the VMF-E19 and VMF-E19I thermostats for maximum control in the cold range

VMF-YCC: Electric on/off completion unit for the VMF-E19Y accessory (mandatory for the unit with options P and X).

VMF-YCCH: Electric on/off completion unit for the VMF-E19Y accessory (mandatory for the unit with option H).

VMF-YCCK: Electric on/off completion unit for the VMF-E19Y accessory, mandatory for FCY units with GKY accessory.

Valves for main coil

VCY41 - 42 - for main heat exchanger: 3-way motorised valve kit for the main coil. The kit consists of a valve, an actuator and the relative pipe fittings. It can be installed on fan coils with both right and left hydraulic connections.

VCYD for main and secondary coil: The 2-way motorised valve kit for the primary or secondary coil or an additional optional heat only coil. The kit consists of a valve, the actuator and the corresponding hydraulic fittings. It can be installed both on fan coils with right-hand and left-hand connections.

VDP15HF: Combined adjustment and balancing valve, for 2 and 4 pipe systems to be installed outside the unit. It is comprised of a valve body without nipples with Ø 3/4" M water connections, a 230 V powered actuator with On-Off function and a 5 m power supply cable. The valve is supplied without connections or hydraulic components.

VDP15HF24: Combined adjustment and balancing valve, for 2 and 4 pipe systems to be installed outside the unit. It is comprised of a valve body without nipples with Ø 3/4" M water connections, a 24 V powered actuator with On-Off function and a 5 m power supply cable. The valve is supplied without connections or hydraulic components.

VDP15HFM: Combined adjustment and balancing valve, for 2 and 4 pipe systems to be installed outside the unit. It is comprised of a valve body without nipples with Ø 3/4" M water connections, a 24 V powered actuator with modulating function and a 5 m power supply cable. The valve is supplied without connections or hydraulic components.

Valves for secondary coil

VCY44 - for secondary heat exchanger: 3-way motorized valve kit for hot only coil. The kit consists of a valve, actuator and relative hydraulic fittings, it is suitable for installation on both fan coils with hydraulic connections on the right and left.

VCYD for main and secondary coil: The 2-way motorised valve kit for the primary or secondary coil or an additional optional heat only coil. The kit consists of a valve, the actuator and the corresponding hydraulic fittings. It can be installed both on fan coils with right-hand and left-hand connections.

Additional hot water coil.

BV: Hot water heat exchanger with 1 row.

Valve support kit

KITVPI: Main coil VDP valve support kit. The kit consists of a bracket for supporting the valve and the corresponding hydraulic fittings.

KITVPI12H: VDP valve support kit for the secondary coil. The kit consists of a bracket for supporting the valve and the corresponding hydraulic fittings.

Installation accessories

BDP: 200 mm plug.

BRY: Flange with hydraulic "spigot" connection.

GMYC: Plate flange that makes it possible to install the accessory GM either in the intake section or in the delivery section. The accessory is comprised of a plate flange with gasket and 4 screws to fasten it to the unit.

AFY: the kit is comprised of a Coarse 25% class filter according to ISO16890 (G2 according to EN779) and four fastening brackets to insert in the grille GM17. To be used together with fan coils supplied without a filter installed in unit "X".

GM17: Plate flange that makes it possible to install the accessory GM17 either in the intake section or in the delivery section. The accessory is comprised of a plate flange with gasket and 4 screws to fasten it to the unit.

DSC: Condensate drainage device.

DAYKIT: Air deflector for U versions. To be installed in the delivery plenum, on the side opposite the air outlet, to facilitate the flow towards the delivery opening.

AMPY: Additional brackets for ceiling mount. Only for "U" version.

Accessories in multiple packages

DFA: Size of filter halved on the short side. The kit is comprised of two filters with a length equal to the standard filter and with half the height. This fa-

ilitates filter cleaning and/or replacement operations if there is a reduced space for vertical extraction. 20 piece package.

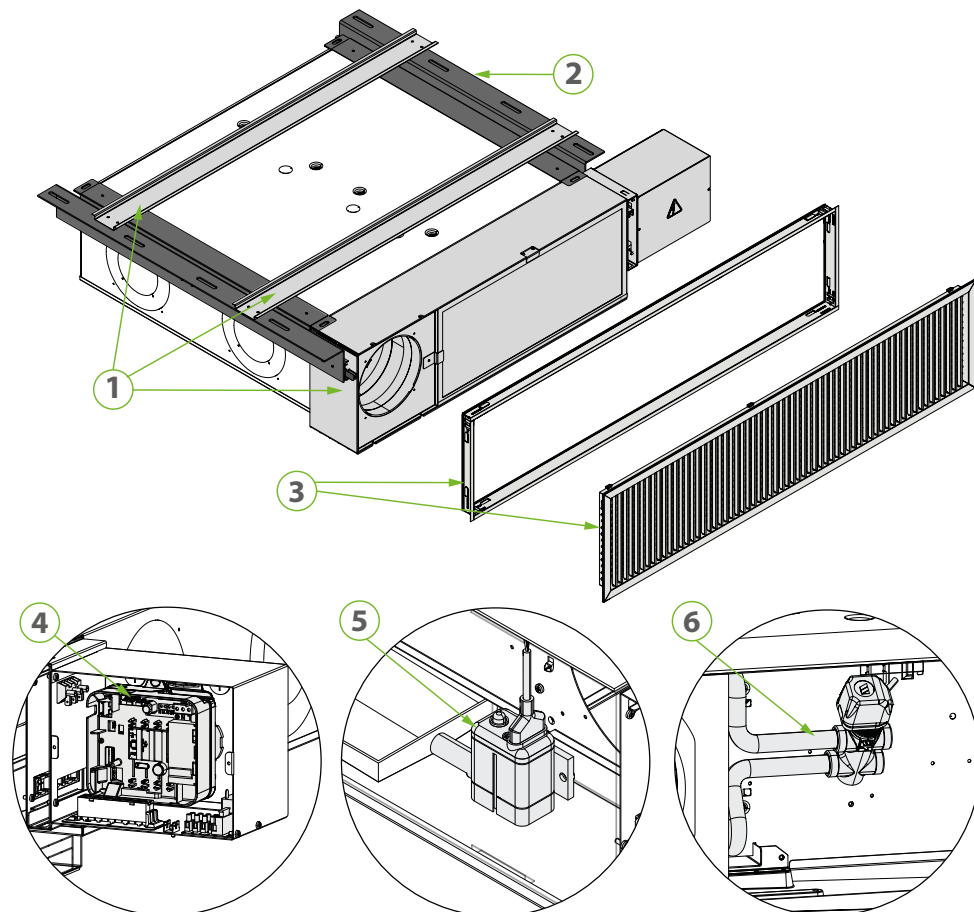
PPB: Protection for flanges to be used during installation to prevent dust from entering the unit before connecting the ducts. To be removed when making the connection. 100 piece package.

CHR12: Hydraulic connection kit for Ø 1/2" two-way valves, with soft coil side O-ring seal and with a flat plate and system side gasket, which can also be used for installing flat seal two-way valves. 50 piece package.

CHR34: Hydraulic connection kit for Ø 3/4" two-way valves, with soft coil side O-ring seal and with a flat plate and system side gasket, which can also be used for installing flat seal two-way valves. 30 piece package.

FLK60: Filter locking kit, allows the filter to be locked and unlocked from below instead of from the side. Pack of 60 pcs.

New GKY equipped flange



- 1 GKY
- 2 GKY2GT- GKY3GT (mandatory accessory)
- 3 GKYG (mandatory accessory)
- 4 VMF-E19Y + VMF-YICCK (FCYI) / VMF-YCCK (FCY) (optional accessory)
- 5 DSC6 (optional accessory)
- 6 2 pipes with 2/3-way valve (optional accessory)

GKY: Extractable galvanised sheet metal equipped flange with electric box, allows for routine and extraordinary maintenance without the need for an inspection hatch underneath. The accessory is only compatible for units in UDXG configuration and recirculation air openings on the right side.

GKY2GT: Accessory mandatory for the installation of the GKY plenum, consisting of telescopic guides compatible with size 2.

GKY3GT: Accessory mandatory for the installation of the GKY plenum, consisting of telescopic guides compatible with size 3.

GKYG: grille kit in RAL9010 colour with counterframe, mandatory accessory compatible with GKY equipped flange accessory.

VCY4124G: The kit, comprised of a valve and a probe holder with clamp, of an actuator and relative pipe fittings is suitable for installation on fan coils FCY and FCYI in the UDXG version. 24V power supply- Ø 1/2" hydraulic connections.

VCY41G: The kit, comprised of a valve and a probe holder with clamp, of an actuator and relative pipe fittings is suitable for installation on fan coils FCY

and FCYI in the UDXG version. 230V power supply- Ø 1/2" hydraulic connections.

VCY4224G: The kit, comprised of a valve and a probe holder with clamp, of an actuator and relative pipe fittings is suitable for installation on fan coils FCY and FCYI in the UDXG version. 24V power supply- Ø 3/4" hydraulic connections.

VCY42G: The kit, comprised of a valve and a probe holder with clamp, of an actuator and relative pipe fittings is suitable for installation on fan coils FCY and FCYI in the UDXG version. 230V power supply- Ø 3/4" hydraulic connections.

VCYD124G: The kit, comprised of a valve, an actuator and relative pipe fittings is suitable for installation on fan coils FCY and FCYI in the UDXG version. 24V power supply- Ø 1/2" hydraulic connections.

VCYD1G: The kit, comprised of a valve, an actuator and relative pipe fittings is suitable for installation on fan coils FCY and FCYI in the UDXG version. 230V power supply- Ø 1/2" hydraulic connections.

VCYD224G: The kit, comprised of a valve, an actuator and relative pipe fittings is suitable for installation on fan coils FCY and FCYI in the UDXG version. 24V power supply- Ø 3/4" hydraulic connections.

VCYD2G: The kit, comprised of a valve, an actuator and relative pipe fittings is suitable for installation on fan coils FCY and FCYI in the UDXG version. 230V power supply- Ø 3/4" hydraulic connections.

Extractable equipped flange

Accessory	FCY200UDXG	FCY250UDXG	FCY300UDXG	FCY350UDXG
GKY	*	*	*	*

Telescopic guides

Accessory	FCY200UDXG	FCY250UDXG
GKY2GT (1)	*	*

(1) Accessory mandatory for the installation of the GKY plenum

Accessory	FCY300UDXG	FCY350UDXG
GKY3GT (1)	*	*

(1) Accessory mandatory for the installation of the GKY plenum

Grid kit

Accessory	FCY200UDXG	FCY250UDXG	FCY300UDXG	FCY350UDXG
GKYG (1)	*	*	*	*

(1) Accessorio obbligatorio per l'installazione del plenum GKYG

3-way valve kit - Main heat exchanger

Accessory	FCY200UDXG	FCY250UDXG	FCY300UDXG	FCY350UDXG
VCY4124G (1)	*	*		
VCY41G (2)	*	*		
VCY4224G (3)			*	*
VCY42G (4)			*	*

(1) 24V power supply- Ø 1/2" hydraulic connections.

(2) 230V power supply- Ø 1/2" hydraulic connections.

(3) 24V power supply- Ø 3/4" hydraulic connections.

(4) 230V power supply- Ø 3/4" hydraulic connections.

2-way valve kit - Main heat exchanger

Accessory	FCY200UDXG	FCY250UDXG	FCY300UDXG	FCY350UDXG
VCYD124G (1)	*	*		
VCYD1G (2)	*	*		
VCYD224G (3)			*	*
VCYD2G (4)			*	*

(1) 24V power supply- Ø 1/2" hydraulic connections.

(2) 230V power supply- Ø 1/2" hydraulic connections.

(3) 24V power supply- Ø 3/4" hydraulic connections.

(4) 230V power supply- Ø 3/4" hydraulic connections.

ACCESSORIES COMPATIBILITY

Control panels and dedicated accessories

Model	Ver	200	201	250	300	301	350	400	401	450	500	501	550	600	601	650	700	701	750
AER503IR (1)	C	*	*	*	*	*	*	*	*	*	*	*	*	*	*	*	*	*	*
	U	*	*	*	*	*	*	*	*	*	*	*	*	*	*	*	*	*	*
SAS (2)	C	*	*	*	*	*	*	*	*	*	*	*	*	*	*	*	*	*	*
	U	*	*	*	*	*	*	*	*	*	*	*	*	*	*	*	*	*	*
SIT3 (3)	C,U	*	*	*	*	*	*	*	*	*	*	*	*	*	*	*	*	*	*
SIT5 (4)	C	*	*	*	*	*	*	*	*	*	*	*	*	*	*	*	*	*	*
	U	*	*	*	*	*	*	*	*	*	*	*	*	*	*	*	*	*	*
SW3 (2)	C	*	*	*	*	*	*	*	*	*	*	*	*	*	*	*	*	*	*
	U	*	*	*	*	*	*	*	*	*	*	*	*	*	*	*	*	*	*
SW5 (2)	C	*	*	*	*	*	*	*	*	*	*	*	*	*	*	*	*	*	*
	U	*	*	*	*	*	*	*	*	*	*	*	*	*	*	*	*	*	*
TX (5)	C	*	*	*	*	*	*	*	*	*	*	*	*	*	*	*	*	*	*
	U	*	*	*	*	*	*	*	*	*	*	*	*	*	*	*	*	*	*

(1) Wall-mount installation.

(2) Probe for AER503IR-TX thermostats, if fitted.

(3) Cards for AER503IR-TX thermostats, if present, to be installed if the unit absorption exceeds 0,7 Ampere.

(4) Probe for AER503IR-TX thermostats, if fitted.

(5) Wall-mounting. If the unit intake exceeds 0.7A, or several units need to be managed with a single thermostat, board SIT3 and/or SIT5 is required.

VMF system

Model	Ver	200	201	250	300	301	350	400	401	450	500	501	550	600	601	650	700	701	750
DI24	C	*	*	*	*	*	*	*	*	*	*	*	*	*	*	*	*	*	*
	U	*	*	*	*	*	*	*	*	*	*	*	*	*	*	*	*	*	*
VMF-E19Y	C	*	*	*	*	*	*	*	*	*	*	*	*	*	*	*	*	*	*
	U	*	*	*	*	*	*	*	*	*	*	*	*	*	*	*	*	*	*
VMF-E3	C	*	*	*	*	*	*	*	*	*	*	*	*	*	*	*	*	*	*
	U	*	*	*	*	*	*	*	*	*	*	*	*	*	*	*	*	*	*
VMF-E4DX	C	*	*	*	*	*	*	*	*	*	*	*	*	*	*	*	*	*	*
	U	*	*	*	*	*	*	*	*	*	*	*	*	*	*	*	*	*	*

Model	Ver	200	201	250	300	301	350	400	401	450	500	501	550	600	601	650	700	701	750
VMF-E4X	C
	U
VMF-IR	C
	U
VMF-SW	C
	U
VMF-SW1	C
	U
VMF-YCC	C
	U
VMF-YCCH	C
	U
VMF-YCCK	U

Additional heat only coil for only option "X" (without an electric heater and without a photocatalytic device)

Ver	200	201	250	300	301	350	400	401	450	500	501	550	600	601	650	700	701	750
C	BV122	-	-	BV132	-	-	BV142	-	-	BV142	-	-	BVZ800	-	-	BVZ800	-	-
U	BV122	-	-	BV132	-	-	BV142	-	-	BV142	-	-	-	-	-	-	-	-

Combined adjustment and balancing valve

	200	201	250	300	301	350	400	401	450
Main coil	VDP15HF	VDP15HF	VDP15HF	VDP15HF	VDP15HF	VDP15HF	VDP15HF	VDP15HF	VDP15HF
	VDP15HF24	VDP15HF24	VDP15HF24	VDP15HF24	VDP15HF24	VDP15HF24	VDP15HF24	VDP15HF24	VDP15HF24
	VDP15HFM	VDP15HFM	VDP15HFM	VDP15HFM	VDP15HFM	VDP15HFM	VDP15HFM	VDP15HFM	VDP15HFM
Secondary coil	-	VDP15HF VDP15HF24 VDP15HFM	-	-	-	VDP15HF VDP15HF24 VDP15HFM	-	-	VDP15HF VDP15HF24 VDP15HFM
	Additional coil "BV"	VDP15HF VDP15HF24 VDP15HFM	-	-	VDP15HF VDP15HF24 VDP15HFM	-	-	VDP15HF VDP15HF24 VDP15HFM	-
	500	501	550	600	601	650	700	701	750
Main coil	VDP15HF	VDP15HF	VDP15HF	VDP15HF	VDP15HF	VDP15HF	VDP15HF	VDP15HF	VDP15HF
	VDP15HF24	VDP15HF24	VDP15HF24	VDP15HF24	VDP15HF24	VDP15HF24	VDP15HF24	VDP15HF24	VDP15HF24
	VDP15HFM	VDP15HFM	VDP15HFM	VDP15HFM	VDP15HFM	VDP15HFM	VDP15HFM	VDP15HFM	VDP15HFM
Secondary coil	-	VDP15HF VDP15HF24 VDP15HFM	-	-	VDP15HF VDP15HF24 VDP15HFM	-	-	VDP15HF VDP15HF24 VDP15HFM	-
	Additional coil "BV"	VDP15HF VDP15HF24 VDP15HFM	-	-	VDP15HF VDP15HF24 VDP15HFM	-	-	VDP15HF VDP15HF24 VDP15HFM	-

Valves combinations for main and secondary coil

3-way valve kit - main and secondary coil or accessory BV coil

	200	201	250	300	301	350	400	401	450	500	501	550	600	601	650	700	701	750
Main coil	VCY41	VCY41	VCY41	VCY42	VCY42	VCY42	VCY42	VCY42	VCY42	VCY42	VCY42	VCY42	VCY42	VCY42	VCY42	VCY42	VCY42	VCY42
	VCY4124	VCY4124	VCY4124	VCY4224	VCY4224	VCY4224	VCY4224	VCY4224	VCY4224	VCY4224	VCY4224	VCY4224	VCY4224	VCY4224	VCY4224	VCY4224	VCY4224	VCY4224
Secondary coil	-	VCY44 VCY4424	-	-	VCY44 VCY4424	-	-	VCY44 VCY4424	-	-	VCY44 VCY4424	-	-	VCY44 VCY4424	-	-	VCY44 VCY4424	-
	Additional coil "BV"	VCY44 VCY4424	-	-	VCY44 VCY4424	-	-	VCY44 VCY4424	-	-	VCY44 VCY4424	-	-	VCY44 VCY4424	-	-	VCY44 VCY4424	-

2-way valve kit - main and secondary coil or accessory BV coil

	200	201	250	300	301	350	400	401	450	500	501	550	600	601	650	700	701	750
Main coil	VCYD1	VCYD1	VCYD1	VCYD2	VCYD2	VCYD2	VCYD2	VCYD2	VCYD2	VCYD2	VCYD2	VCYD2	VCYD2	VCYD2	VCYD2	VCYD2	VCYD2	VCYD2
	VCYD124	VCYD124	VCYD124	VCYD224	VCYD224	VCYD224	VCYD224	VCYD224	VCYD224	VCYD224	VCYD224	VCYD224	VCYD224	VCYD224	VCYD224	VCYD224	VCYD224	VCYD224
Secondary coil	-	VCYD1 VCYD124	-	-	VCYD1 VCYD124	-	-	VCYD1 VCYD124	-	-	VCYD1 VCYD124	-	-	VCYD1 VCYD124	-	-	VCYD1 VCYD124	-
	Additional coil "BV"	VCYD1 VCYD124	-	-	VCYD1 VCYD124	-	-	VCYD1 VCYD124	-	-	VCYD1 VCYD124	-	-	VCYD1 VCYD124	-	-	VCYD1 VCYD124	-

Valve support kit

Main coil VDP valve support kit.

Model	Ver	200	201	250	300	301	350	400	401	450	500	501	550	600	601	650	700	701	750
KITVP112 (1)	C,U
	C
KITVP134 (2)	C
	U

(1) Connections Ø 1/2"
(2) Connections Ø 3/4"

Secondary coil VDP valve support kit.

	200	201	250	300	301	350	400	401	450	500	501	550	600	601	650
Main coil	-	-	-	-	-	-	-	-	-	-	-	-	-	-	-
Secondary coil	-	KITVPI12H	-	-	KITVPI12H	-	-	KITVPI12H	-	-	KITVPI12H	-	-	KITVPI12H	-
Additional coil "BV"	KITVPI12H	-	-	KITVPI12H	-	-	KITVPI12H	-	-	KITVPI12H	-	-	KITVPI12H	-	-
	700	701	750												
Main coil	-	-	-												
Secondary coil	-	KITVPI12H	-												
Additional coil "BV"	KITVPI12H	-	-												

Connections ø 1/2"

Installation accessories

Plastic caps

Model	Ver	200	201	250	300	301	350	400	401	450	500	501	550	600	601	650	700	701	750
BDP200	C	*	*	*	*	*	*	*	*	*	*	*	*	*	*	*	*	*	*
	U	*	*	*	*	*	*	*	*	*	*	*	*	*	*	*	*	*	*

Flange

Model	Ver	200	201	250	300	301	350	400	401	450	500	501	550	600	601	650	700	701	750
BRY210 (1)	C	*	*	*	*	*	*	*	*	*	*	*	*	*	*	*	*	*	*
	U	*	*	*	*	*	*	*	*	*	*	*	*	*	*	*	*	*	*
BRY212 (2)	C	*	*	*	*	*	*	*	*	*	*	*	*	*	*	*	*	*	*
	U	*	*	*	*	*	*	*	*	*	*	*	*	*	*	*	*	*	*
BRY216 (3)	C	*	*	*	*	*	*	*	*	*	*	*	*	*	*	*	*	*	*
	U	*	*	*	*	*	*	*	*	*	*	*	*	*	*	*	*	*	*
BRY220 (4)	C	*	*	*	*	*	*	*	*	*	*	*	*	*	*	*	*	*	*
	U	*	*	*	*	*	*	*	*	*	*	*	*	*	*	*	*	*	*

- (1) Ø 100 mm
- (2) Ø 125 mm
- (3) Ø 160 mm
- (4) Ø 200 mm

Flange for the installation of the delivery grille GM

Model	Ver	200	201	250	300	301	350	400	401	450	500	501	550	600	601	650	700	701	750
GM200C (1)	C	*	*	*															
GM300C (1)	C				*	*	*												
GM400C (1)	C							*	*	*	*	*	*	*	*	*	*	*	*
GM600C (1)	C													*	*	*	*	*	*

(1) only for "C" version.

Flange for the installation of the grille GM17

Model	Ver	200	201	250	300	301	350	400	401	450	500	501	550	600	601	650	700	701	750
GM17 (1)	U	*	*	*	*	*	*	*	*	*	*	*	*	*	*	*	*	*	*

(1) Only for "U" version with connections "G and D".

Coarse 25% class air filter kit according to ISO16890 (G2 according to EN779)

Model	Ver	200	201	250	300	301	350	400	401	450	500	501	550	600	601	650	700	701	750
AFY100 (1)	U	*	*	*	*	*	*	*	*	*	*	*	*	*	*	*	*	*	*

(1) To be used with fan coils supplied without a filter installed in unit "X" and in association with GM17 and GMYU.

Air deflector

Model	Ver	200	201	250	300	301	350	400	401	450	500	501	550	600	601	650	700	701	750
DAYKIT	U	*	*	*	*	*	*	*	*	*	*	*	*	*	*	*	*	*	*

Brackets for ceiling mount.

Model	Ver	200	201	250	300	301	350	400	401	450	500	501	550	600	601	650	700	701	750
AMPY (1)	U	*	*	*	*	*	*	*	*	*	*	*	*	*	*	*	*	*	*

(1) Only for "U" version.

Condensate discharge device kit

Model	Ver	200	201	250	300	301	350	400	401	450	500	501	550	600	601	650	700	701	750
DSC6 (1)	C	*	*	*	*	*	*	*	*	*	*	*	*	*	*	*	*	*	*
	U	*	*	*	*	*	*	*	*	*	*	*	*	*	*	*	*	*	*

(1) Only for "L and R" connections.

Delivery grille

Model	Ver	200	201	250	300	301	350	400	401	450	500	501	550	600	601	650	700	701	750
GM17	U	*	*	*	*	*	*	*	*	*	*	*	*	*	*	*	*	*	*
GM22	C	*	*	*															
GM32	C				*	*	*												
GM42	C							*	*	*	*	*	*	*	*	*	*	*	*
GM62	C													*	*	*	*	*	*

Accessories in multiple packages

Hydraulic connection kit

Model	Ver	200	201	250	300	301	350	400	401	450	500	501	550	600	601	650	700	701	750
CHR12 (1)	C,U	.	.	.															
CHR34 (2)	C			
	U									

(1) Hydraulic connections Ø 1/2"

(2) Hydraulic connections Ø 3/4"

Half-size filter kit

Model	Ver	200	201	250	300	301	350	400	401	450	500	501	550	600	601	650	700	701	750
DFA2	C,U	.	.	.															
DFA3	C,U				.	.	.												
DFA5	C,U												
DFA7	C												

Protection for flange

Model	Ver	200	201	250	300	301	350	400	401	450	500	501	550	600	601	650	700	701	750
PPB	C
	U						

**PERFORMANCE DATA - FCY_C AND FCY_U
(CONFIGURATION OF THE H NOZZLES) - 2 PIPES**

2-pipe

	FCY200C			FCY250C			FCY300C			FCY350C			FCY400C			FCY450C					
	2	4	6	2	4	6	1	4	6	1	4	6	1	3	6	1	3	6			
	L	M	H	L	M	H	L	M	H	L	M	H	L	M	H	L	M	H			
Heating performance 70 °C / 60 °C (1)																					
Heating capacity	kW			2,11	3,00	3,32	2,29	3,24	3,60	3,50	5,03	5,45	3,80	5,59	6,10	4,49	6,02	6,74	4,79	6,62	7,40
Water flow rate system side	l/h			182	258	285	197	179	310	301	433	469	327	481	524	386	517	580	412	569	637
Pressure drop system side	kPa			7	12	15	9	16	19	8	15	18	9	18	21	11	18	22	7	12	15
Heating performance 45 °C / 40 °C (2)																					
Heating capacity	kW			1,05	1,49	1,65	1,14	1,61	1,79	1,74	2,50	2,71	1,89	2,78	3,03	2,23	2,99	3,35	2,38	3,29	3,68
Water flow rate system side	l/h			160	224	248	196	277	308	299	430	466	325	478	521	383	514	576	409	566	633
Pressure drop system side	kPa			7	12	15	9	16	19	8	15	18	9	17	20	11	18	22	7	12	15
Cooling performance 7 °C / 12 °C																					
Cooling capacity	kW			0,93	1,30	1,44	1,11	1,59	1,74	1,70	2,40	2,63	1,91	2,77	3,00	2,29	3,06	3,41	2,51	3,37	3,79
Sensible cooling capacity	kW			0,74	1,14	1,18	0,83	1,23	1,36	1,27	1,86	2,03	1,34	1,99	2,16	1,66	2,24	2,52	1,76	2,42	2,73
Water flow rate system side	l/h			160	224	248	191	273	299	292	413	452	328	476	516	394	526	586	432	580	652
Pressure drop system side	kPa			8	13	15	10	18	21	9	16	18	11	21	25	11	18	22	11	16	20
Fan																					
Type	type																				
Fan motor	type																				
Centrifugal																					
Asynchronous																					
Air flow rate	m ³ /h			148	226	254	148	226	254	263	404	446	263	404	446	346	487	559	346	487	559
High static pressure	Pa			21	50	63	21	50	63	21	50	61	21	50	61	25	50	66	25	50	66
Sound power level (inlet + radiated)	dB(A)			41,0	56,0	59,0	41,0	56,0	59,0	39,0	51,0	54,0	39,0	51,0	54,0	44,0	54,0	55,0	44,0	54,0	55,0
Sound power level (outlet)	dB(A)			37,0	52,0	55,0	37,0	52,0	55,0	35,0	47,0	49,0	35,0	47,0	49,0	40,0	50,0	52,0	40,0	50,0	52,0
Input power	W			28	41	74	28	41	74	38	55	78	38	55	78	53	63	102	53	63	102
Finned pack heat exchanger																					
Water content	l			0,5			0,7			0,8			1,0			1,0			1,4		
Diameter hydraulic fittings																					
Main heat exchanger	Ø			1/2"			1/2"			3/4"			3/4"			3/4"			3/4"		
Power supply																					
Power supply	230V~50Hz																				

	FCY500C			FCY550C			FCY600C			FCY650C			FCY700C			FCY750C					
	1	5	6	1	5	6	1	4	7	1	4	7	2	5	7	2	5	7			
	L	M	H	L	M	H	L	M	H	L	M	H	L	M	H	L	M	H			
Heating performance 70 °C / 60 °C (1)																					
Heating capacity	kW			5,27	7,22	7,59	5,81	8,25	8,67	6,86	8,55	10,00	7,63	9,72	11,51	8,77	10,10	10,52	10,02	11,65	12,09
Water flow rate system side	l/h			453	621	652	500	709	746	590	735	860	656	836	990	754	868	905	862	1002	1040
Pressure drop system side	kPa			12	21	23	10	19	21	13	20	26	15	23	31	19	25	27	12	15	16
Heating performance 45 °C / 40 °C (2)																					
Heating capacity	kW			2,62	3,59	3,77	2,89	4,10	4,31	3,41	4,25	4,97	3,79	4,83	5,72	4,36	5,02	5,23	4,98	5,79	6,01
Water flow rate system side	l/h			451	617	648	497	705	741	586	731	855	652	831	984	750	863	899	856	996	1034
Pressure drop system side	kPa			12	21	23	10	19	21	13	19	25	15	23	31	19	25	27	12	15	16
Cooling performance 7 °C / 12 °C																					
Cooling capacity	kW			2,68	3,65	3,82	2,91	4,08	4,28	3,37	4,08	4,65	4,15	5,02	5,67	4,24	4,97	5,18	4,69	5,53	5,80
Sensible cooling capacity	kW			1,94	2,70	2,83	2,07	2,94	3,09	2,70	3,34	3,92	2,93	3,60	4,12	3,24	3,83	4,02	3,53	4,20	4,41
Water flow rate system side	l/h			461	628	657	500	702	736	580	702	800	714	863	975	729	855	891	807	951	997
Pressure drop system side	kPa			13	22	24	12	21	23	15	21	26	16	23	28	20	26	28	12	16	17
Fan																					
Type	type																				
Fan motor	type																				
Centrifugal																					
Asynchronous																					
Air flow rate	m ³ /h			400	592	627	400	592	627	567	770	920	567	770	920	785	978	1050	785	978	1050
High static pressure	Pa			22	50	56	22	50	56	27	50	71	27	50	71	32	50	58	32	50	58
Sound power level (inlet + radiated)	dB(A)			45,0	55,0	57,0	45,0	55,0	57,0	46,0	56,0	61,0	46,0	56,0	61,0	54,0	60,0	62,0	54,0	60,0	62,0
Sound power level (outlet)	dB(A)			41,0	51,0	53,0	41,0	51,0	53,0	44,0	54,0	60,0	44,0	54,0	60,0	52,0	59,0	61,0	52,0	59,0	61,0
Input power	W			49	80	96	49	80	96	66	89	118	66	89	118	92	117	138	92	117	138
Finned pack heat exchanger																					
Water content	l			1,0			1,4			1,2			1,6			1,2			1,6		
Diameter hydraulic fittings																					
Main heat exchanger	Ø									3/4"											
Power supply																					
Power supply	230V~50Hz																				

(1) Room air temperature 20 °C d.b.; Water (in/out) 70 °C/60 °C

(2) Room air temperature 20 °C d.b.; Water (in/out) 45 °C/40 °C; EUROVENT

Refer to the selection software for performance data related to the different configurations.

PERFORMANCE DATA FCY_C AND FCY_U (CONFIGURATION OF THE H NOZZLES) - 4 PIPES

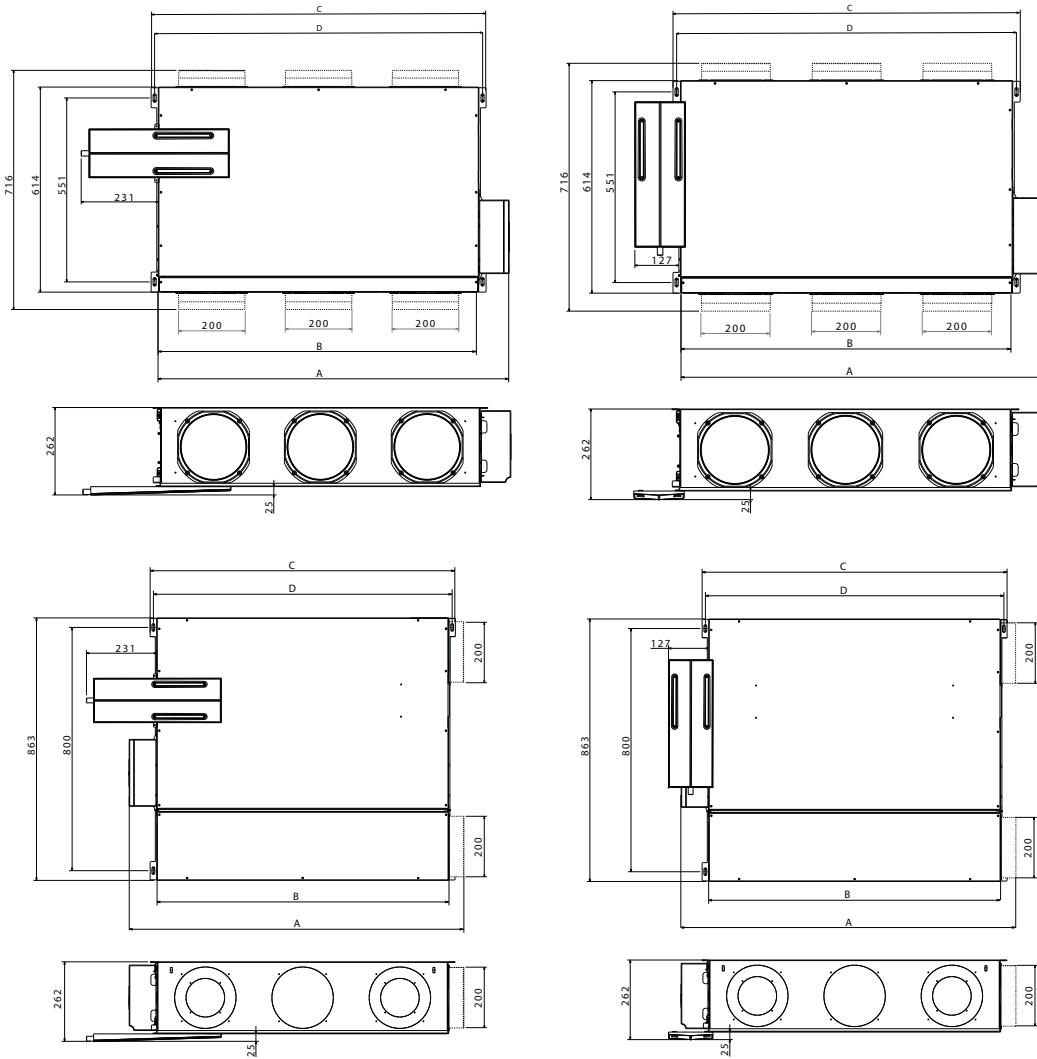
4-pipe

	FCY201C			FCY301C			FCY401C			FCY501C			FCY601C			FCY701C			
	2	4	6	1	4	6	1	3	6	1	5	6	1	4	7	2	5	7	
	L	M	H	L	M	H	L	M	H	L	M	H	L	M	H	L	M	H	
Heating performance 65 °C / 55 °C (1)																			
Heating capacity	kW	1,06	1,37	1,48	1,82	2,39	2,55	2,19	2,75	2,99	2,59	3,30	3,34	3,13	3,85	4,35	4,13	4,40	4,60
Water flow rate system side	l/h	93	120	130	159	210	223	192	240	262	226	290	301	274	336	381	361	385	403
Pressure drop system side	kPa	5	8	9	8	12	14	5	7	8	6	9	9	9	13	16	16	15	17
Cooling performance 7 °C / 12 °C																			
Cooling capacity	kW	0,93	1,30	1,44	1,70	2,40	2,63	2,29	3,06	3,41	2,68	3,65	3,82	3,37	4,08	4,65	4,24	4,97	5,18
Sensible cooling capacity	kW	0,74	1,14	1,18	1,27	1,86	2,03	1,66	2,24	2,52	1,94	2,70	2,83	2,70	3,34	3,92	3,24	3,83	4,02
Water flow rate system side	l/h	160	224	248	292	413	452	394	526	586	461	628	657	580	702	800	729	855	891
Pressure drop system side	kPa	8	13	15	9	16	18	11	18	22	13	22	24	15	21	26	20	26	28
Fan																			
Type	type	Centrifugal																	
Fan motor	type	Asynchronous																	
Air flow rate	m ³ /h	148	226	254	263	404	446	346	487	559	400	592	627	567	770	920	785	978	1050
High static pressure	Pa	21	50	63	21	50	61	25	50	66	22	50	56	27	50	71	32	50	58
Sound power level (inlet + radiated)	dB(A)	41,0	56,0	59,0	39,0	51,0	54,0	44,0	54,0	55,0	45,0	55,0	57,0	46,0	56,0	61,0	54,0	60,0	62,0
Sound power level (outlet)	dB(A)	37,0	52,0	55,0	35,0	47,0	49,0	40,0	50,0	52,0	41,0	51,0	53,0	44,0	54,0	60,0	52,0	59,0	61,0
Input power	W	28	41	74	38	55	78	53	63	102	49	80	96	66	89	118	92	117	138
Diameter hydraulic fittings																			
Main heat exchanger	∅	1/2"			3/4"			3/4"			3/4"			3/4"			3/4"		
Secondary heat exchanger	∅	1/2"																	
Power supply																			
Power supply		230V~50Hz																	

(1) Room air temperature 20°C d.b.; Water (in/out) 65 °C/55 °C; EUROVENT

Refer to the selection software for performance data related to the different configurations.

DIMENSIONS



FCY - C

Size		200	201	250	300	301	350	400	401	450	500	501	550	600	601	650	700	701	750
Dimensions and weights																			
A	mm	598	598	598	829	829	829	1050	1050	1050	1050	1050	1050	1171	1171	1171	1171	1171	1171
B	mm	507	507	507	735	735	735	960	960	960	960	960	960	1080	1080	1080	1080	1080	1080
C	mm	550	550	550	781	781	781	1003	1003	1003	1003	1003	1003	1122	1122	1122	1122	1122	1122
D	mm	529	529	529	760	760	760	982	982	982	982	982	982	1100	1100	1100	1100	1100	1100
Empty weight	kg	19	20	21	23	24	26	31	32	33	31	32	33	41	43	46	41	43	46

FCY - U

Size		200	201	250	300	301	350	400	401	450	500	501	550
Dimensions and weights													
A	mm	647	647	647	878	878	878	1100	1100	1100	1100	1100	1100
B	mm	508	508	508	739	739	739	960	960	960	960	960	960
C	mm	550	550	550	781	781	781	1003	1003	1003	1003	1003	1003
D	mm	529	529	529	760	760	760	982	982	982	982	982	982
Empty weight	kg	22	23	24	26	27	29	35	36	37	35	36	37

Aermec reserves the right to make any modifications deemed necessary. All data is subject to change without notice. Aermec does not assume responsibility or liability for errors or omissions.

Aermec S.p.A.
Via Roma, 996 - 37040 Bevilacqua (VR) - Italia
Tel. 0442633111 - Telefax 044293577
www.aermec.com